

1
.1.1



Properties

- Ø18 mm housing
- 5 mm, flush and 8 mm, non-flush mountable versions
- DC, 2-wire NAMUR
- Cable version

Your Benefit

- For use in high temperature applications
- Ex approval for use in hazardous area zone 0 and 1

Technical Data

For detailed data and product description refer to the data sheets at www.pepperl-fuchs.com

General Data

Switching element function	NAMUR, NC
Type of voltage	DC
Nominal voltage	8.2 V (R _i approx. 1 kΩ)
Current consumption	
Measuring plate not detected	≥ 3 mA
Measuring plate detected	≤ 1 mA
Ambient temperature	-40 ... 150 °C (-40 ... 302 °F)
Housing material	PPS
Protection degree	IP65
Connection type	cable SIHF, 2 m



Model Number	NJ5-18GK-N-150	NJ8-18GK-N-150
Rated operating distance	5 mm	8 mm
Installation	flush	
	non-flush	
Switching frequency	0 ... 200 Hz	
	0 ... 500 Hz	

Use in the Hazardous Area

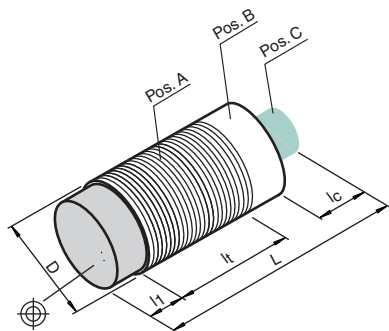
Use in the hazardous area	see instruction manuals		
Category	1G; 2G		

Approvals and Certificates

UL approval	cULus Listed, General Purpose		
CSA approval	cCSAus Listed, General Purpose		
CCC approval	Products with a maximum operating voltage of ≤36 V do not bear a CCC marking because they do not require approval.		

Dimensions

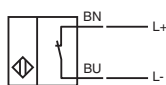
Length L [mm]	47
Diameter D [mm]	18
Thread length l _t [mm]	34.5
Cap length l ₁ [mm]	1
Connector area l _c [mm]	7
LED position	-



Electrical Connection



NJ5-18GK-N-150
NJ8-18GK-N-150





Properties

- Ø30 mm housing
- 4 mm, flush and 15 mm non-flush mountable
- DC, 2-wire NAMUR
- Cable version

Your Benefit

- For use in high temperature applications
- Ex approval for use in hazardous area zone 0 and 1

Technical Data

For detailed data and product description refer to the data sheets at www.pepperl-fuchs.com

General Data

Switching element function	NAMUR, NC
Type of voltage	DC
Nominal voltage	8.2 V (R _i approx. 1 kΩ)
Current consumption	
Measuring plate not detected	≥ 3 mA
Measuring plate detected	≤ 1 mA
Protection degree	IP65

Model Number

		NJ4-30GM-N-200	NJ15-30GK-N-150
Rated operating distance	15 mm		●
	4 mm	●	
Installation	flush	●	
	non-flush		●
Switching frequency	0 ... 100 Hz		●
	0 ... 1000 Hz	●	●
Suitable for 2:1 technology	✓	●	
Ambient temperature	-25 ... 150 °C (-13 ... 302 °F)		●
	0 ... 200 °C (32 ... 392 °F)	●	
Housing material	Stainless steel 1.4305 / AISI 303	●	
	PPS		●
Connection type	cable SIHF , 2 m		●
	cable SIHF , 5 m	●	●

Use in the Hazardous Area

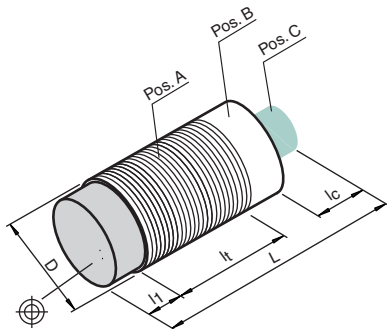
Use in the hazardous area	see instruction manuals	●	●
Category	1G; 2G	●	●

Approvals and Certificates

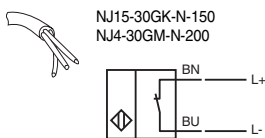
FM Control drawing	116-0165F	●	
UL approval	cULus Listed, General Purpose	●	●
CSA approval	cCSAus Listed, General Purpose	●	●
CCC approval	Products with a maximum operating voltage of ≤36 V do not bear a CCC marking because they do not require approval.		

Dimensions

	75	47
Length L [mm]		
Diameter D [mm]		30
Thread length l _t [mm]	50	40
Cap length l ₁ [mm]		0
Connector area l _c [mm]	15	7
LED position		I



Electrical Connection



NJ15-30GK-N-150
NJ4-30GM-N-200